

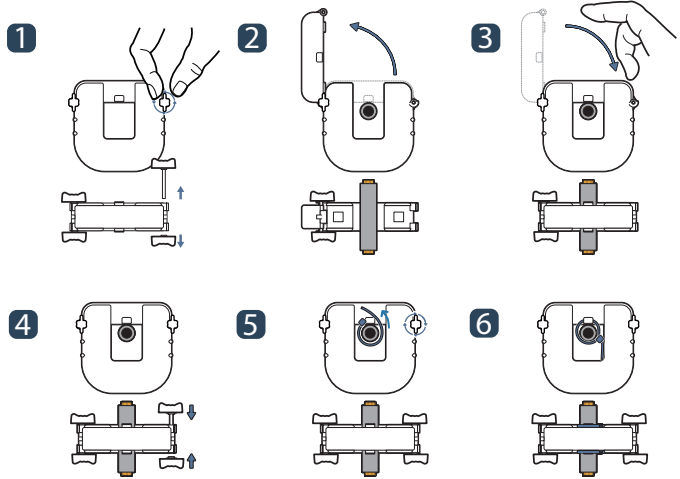


SPLIT-CORE CURRENT TRANSFORMER

JSC-XX-XXXX-1A series



HOW TO USE ①



JSC series of split-core current transformer offers 1A at secondary from sensed primary current for metering application. It can be used for power meter, distribution system, control panels, switchgear and other equipment. It is designed to install to live power line without disconnection as split-core compact type. Also, over-voltage protection circuit is included to offer safe, fast and cost effective installation.

APPLICATIONS

- Power meter
- Switchgear
- Distributed measurement systems
- General Sets
- Control panels

FEATURES

- High quality comprehensive measurement
- Available in a wide range of transformer ratings
- Accuracy up to Class 0.5S

BENEFITS

- Faster installation
- Cost effective
- Long product life

NOTICE

- Core contact surface is waterproofed, however if it gets rusty, you could reuse after removing rusts with spraying WD-40 or CRC5-56 on the rusted side
- Do not use any other chemicals except WD-40 or CRC5-56 on housing or any other parts
- Customizing output lead wire

SPECIFICATION

Accuracy	Class 0.5S / 1.0 / 3.0
Leads	18AWG, 600VAC
System Voltage	720V(0.72kV)
Overload withstand	1.2 times rated current continuously
Compliant with	IEC/EN61869-2 & IEC61010-1
Operating Temperature Range	-20°C to 60°C
Relative Humidity	0-90% non-condensing
Test Voltage	3kV for 1minute
Frequency Range	50/60Hz
Protection Level	Bipolar 6.5Vp
Insulation Category	CAT II or CAT III 600VAC



CURRENT TRANSFORMER RATIOS / DIMENSIONS

How to Order / Model Reference

eg **J S C - 0 1 - 0 0 0 0 / 1 A**

Model	J S C - 0 1
Primary Current	Select code from ratio table
Secondary Current	1 A

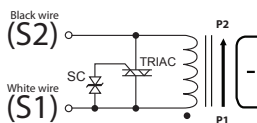
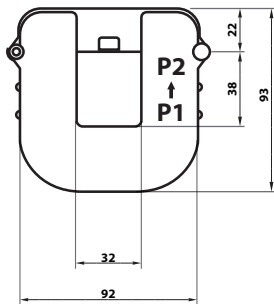
Current Transformer Ratios

Primary Current (A)	Metering Burden(VA)			Code
	cl. 0.5S	cl. 1	cl. 3	
100			0.5	0100
150			1.5	0150
200		0.5		0200
250		0.5		0250
300		0.5		0300
400	0.5			0400

1A Secondary

Accuracy conforms to IEC61869-2 & IEEE/ANSI C57.13 meets the measuring range from 1 to 120 % of In

Dimensions



How to Order / Model Reference

eg **J S C - 0 2 - 0 0 0 0 / 1 A**

Model	J S C - 0 2
Primary Current	Select code from ratio table
Secondary Current	1 A

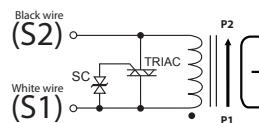
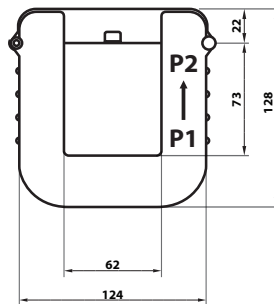
Current Transformer Ratios

Primary Current (A)	Metering Burden(VA)			Code
	cl. 0.5S	cl. 1	cl. 3	
400		1.0		0400
500		2.5		0500
600	1.0	5.0		0600
750	1.0	5.0		0750
800	1.0	5.0		0800
1000	2.5	10.0		1000

1A Secondary

Accuracy conforms to IEC61869-2 & IEEE/ANSI C57.13 meets the measuring range from 1 to 120 % of In

Dimensions



How to Order / Model Reference

eg **J S C - 0 3 - 0 0 0 0 / 1 A**

Model	J S C - 0 3
Primary Current	Select code from ratio table
Secondary Current	1 A

Current Transformer Ratios

Primary Current (A)	Metering Burden(VA)			Code
	cl. 0.5S	cl. 1	cl. 3	
800	1.0	5.0		0800
1000	1.0	5.0		1000
1200	5.0	10.0		1200
1250	5.0	10.0		1250
1500	10.0	20.0		1500
1600	10.0	20.0		1600
2000	10.0	20.0		2000
2400	10.0	20.0		2400

1A Secondary

Accuracy conforms to IEC61869-2 & IEEE/ANSI C57.13 meets the measuring range from 1 to 120 % of In

Dimensions

